

## Features

- Low insertion loss
- Small footprint
- Surface mount
- L, S & C Band Ceramic Triplexer

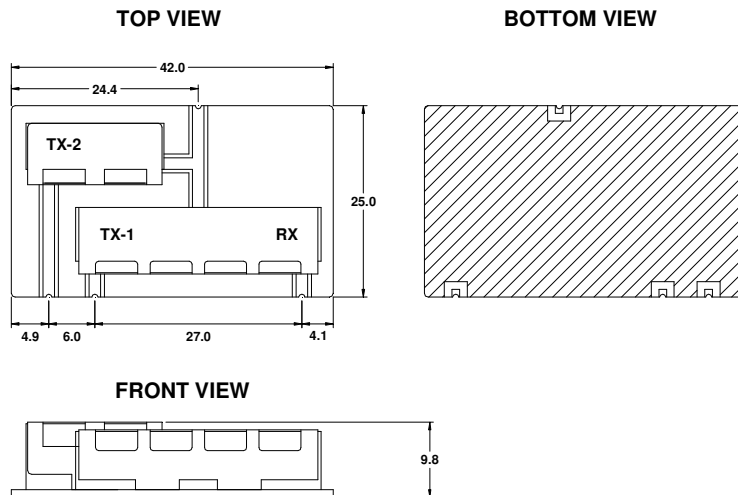
## Descriptions

Surface mount ceramic triplexer developed for L, S and C band applications.

## Electrical Specifications

Parameter	Unit	Specification		
		Band 1(RX)	Band 2 (TX)	Band 3 (TX)
Center Frequency	MHz	2250	1800	2050
Band Width	MHz	2200 ~ 2300	1750 ~ 1850	2000 ~ 2100
Insertion Loss in BW	dB	1.0 max	1.0 max	1.0 max
Ripple in BW	dB	0.5 max	0.5 max	0.5 max
Return Loss	dB	14.0 min	14.0 min	14.0 min
Attenuation	dB	43 min @ 2000 ~2100MHz	25 min @ 2000 ~2100MHz	25 min @ 1750 ~1850MHz
		43 min @ 1750 ~1850MHz	25 min @ 2200 ~2300MHz	25 min @ 2200 ~2300MHz
Input Power	Watt	2 max (CW), 20 max (peak)		
IN/OUT Impedance	$\Omega$	50		
Operating Temp. Range	$^{\circ}\text{C}$	0 ~ +50		
RoHS	-	Yes		
Dimensions	mm	42 x 25 x 9.8 (L x W x H)		

## Mechanical Drawing



## Electrical Response

