

Features

- Low Insertion Loss
- High Attenuation
- Compact Size
- RF Pin Mount

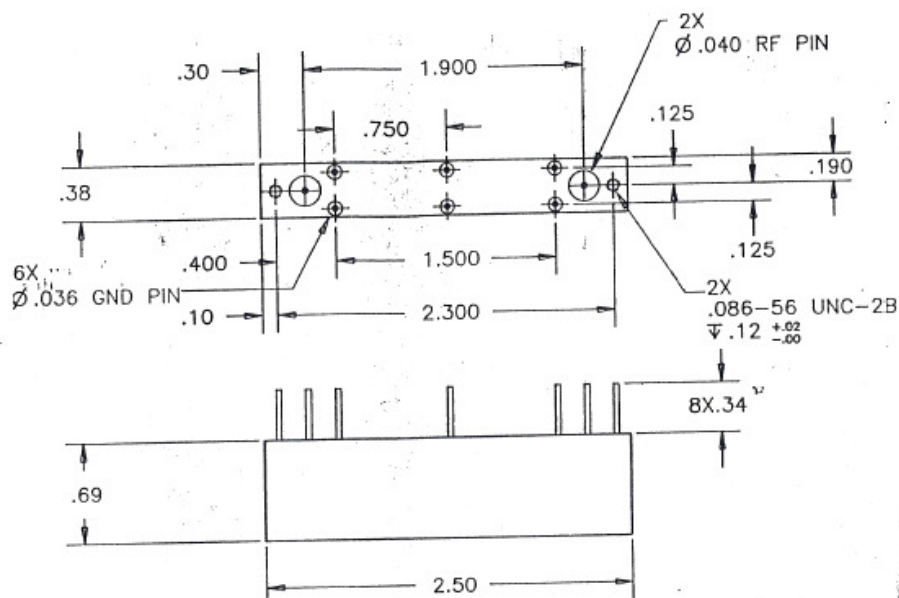
Descriptions

RF Pin mount LC bandpass filter developed for UHF band applications.

Electrical Specifications

| Parameter | Unit | Specification |
|-----------------------------------|------|-------------------------------|
| Center Frequency (Fc) | MHz | 455 |
| 3dB Passband Frequency Range | MHz | 450(min) ~ 460(max) |
| Insertion Loss @ Fc | dB | 4.75 min, 5.75 max |
| Ripple @ 450~460MHz p-p | dB | 4.0 max |
| Return Loss(VSWR) @ 450~460MHz | dB | 14.0 min |
| Attenuation | dB | 20 min @ 446, 465MHz |
| | | 30 min @ 445, 468MHz |
| | | 40 min @ 440, 475MHz |
| | | 50 min @ 435, 480MHz |
| | | 60 min @ 430, 485MHz |
| IN/OUT Impedance | Ohm | 50 |
| Operating Temperature | °C | -30 ~ +70 |
| Dimensions (Excluding Connectors) | inch | 2.5 x 0.38 x 0.69 (L x W x H) |
| RoHS | - | Yes |

Mechanical Drawing



Electrical Response

