

Features

- Low Insertion Loss
- High Attenuation
- Compact Size
- Surface Mount

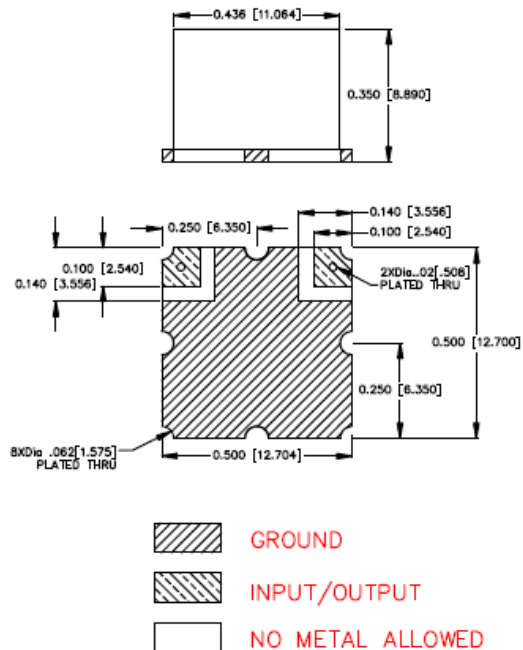
Descriptions

Surface mount lumped element bandpass filter developed for S band applications.

Electrical Specifications

Parameter	Unit	Specification
Center Frequency (Fc)	MHz	2350
Passband	MHz	2200 ~ 2500
Passband Insertion Loss	dB	1.5
Passband Ripple	dB	0.5
Passband Return Loss	dB	1.5:1 max / 14.0 min
Rejection bands	dB	25 min @ 1700MHz
Input Power	W	1 CW max
In / Out Impedance	Ohms	50
Operating Temperature Range	°C	-25 to +50
Dimensions	Inch[mm]	0.5 x 0.5 x 0.35[12.7 x 12.7 x 8.89](L x W x H)

Mechanical Drawing



Electrical Response

