

Features

- Low Insertion Loss
- High Attenuation
- Compact Size
- SMA Connector Mount

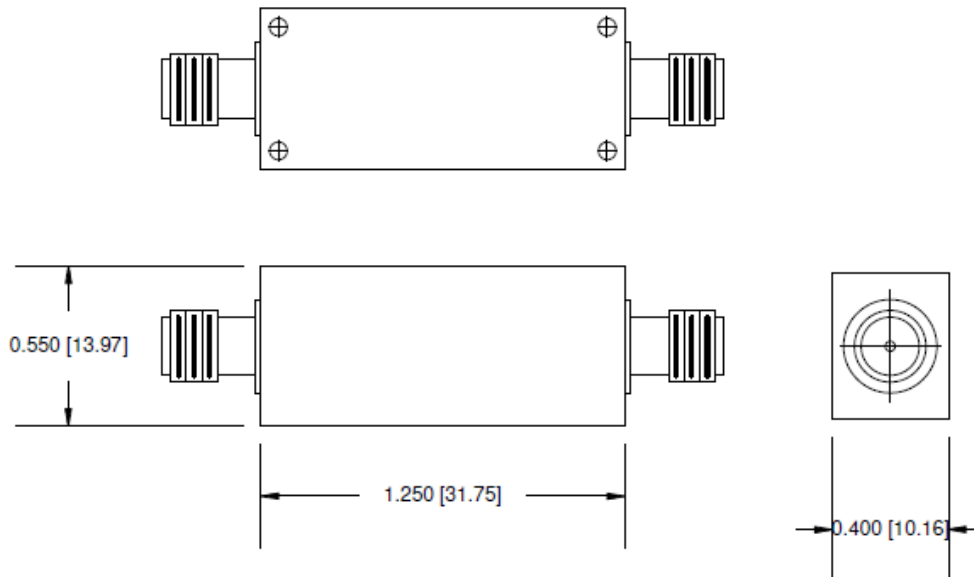
Descriptions

SMA connector mount lumped element bandpass filter developed for UHF band applications.

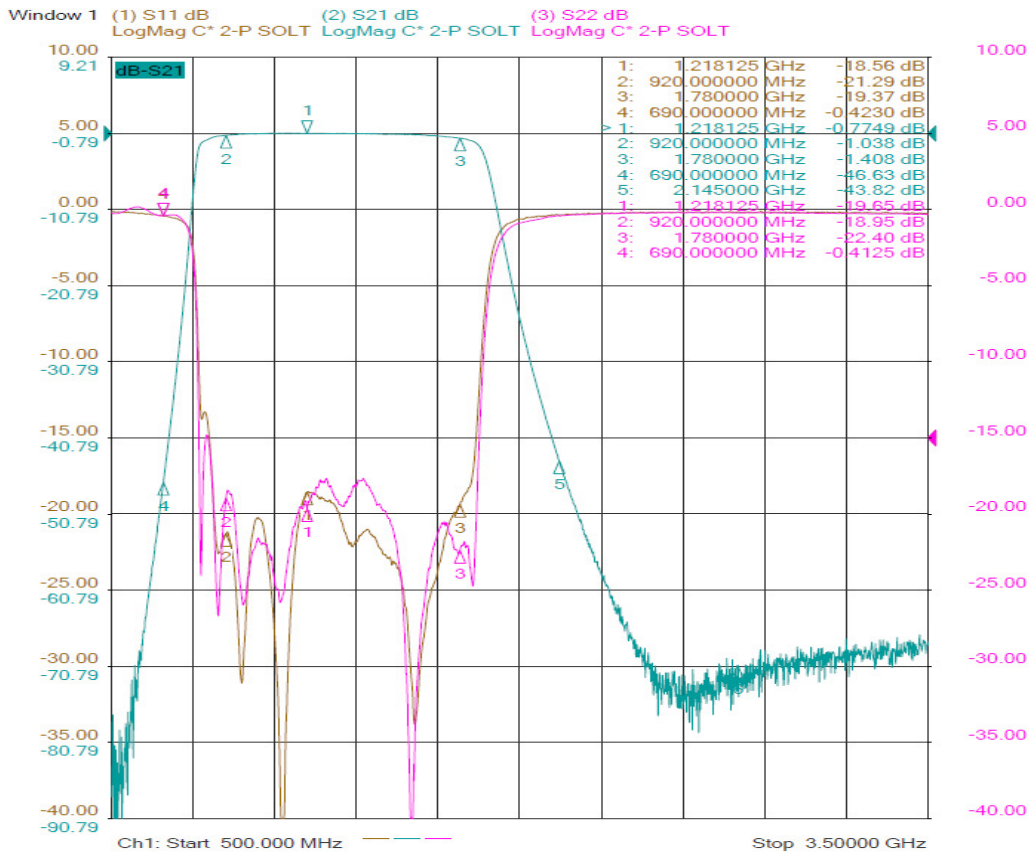
Electrical Specifications

Parameter	Unit	Specification
Center Frequency (Fc)	MHz	1350
Passband	MHz	920 ~ 1780
Passband Insertion Loss	dB	2.0
Passband Ripple	dB	0.8 (p-p)
Passband Return Loss	dB	1.5:1 max / 14.0 dB min
Rejection bands	dBc	35 min @ DC-690
		35 min @ 2145-2800
		43 min @ 2801-3050
Group Delay Variation	ns	1.0 over any 5 MHz passband
Input Power	W	2
In / Out Impedance	Ohms	50
Operating Temperature Range	°C	-40 to +85
RoHS	-	Yes

Mechanical Drawing



Simulation Data



Graph 1

