

Features

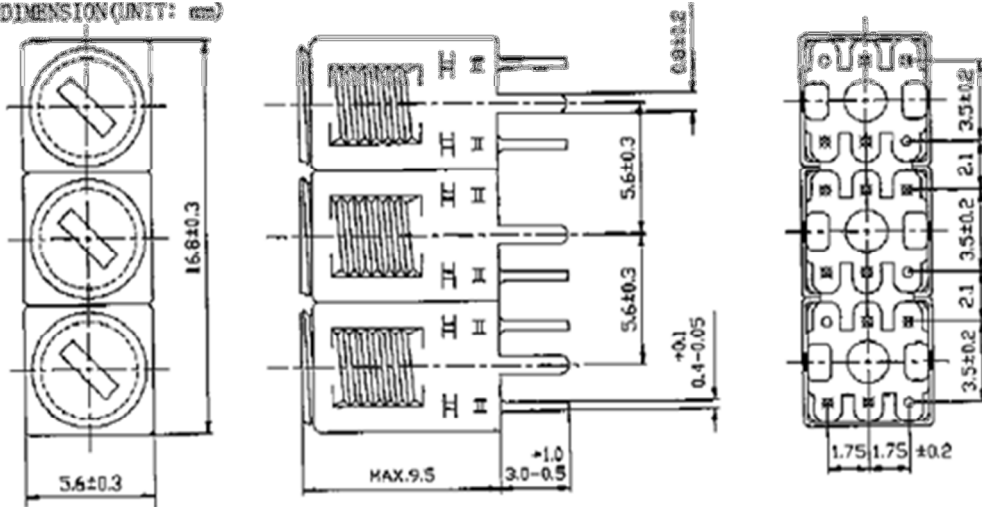
- Low Insertion Loss
- High Attenuation
- Compact Size
- Shielded

Descriptions

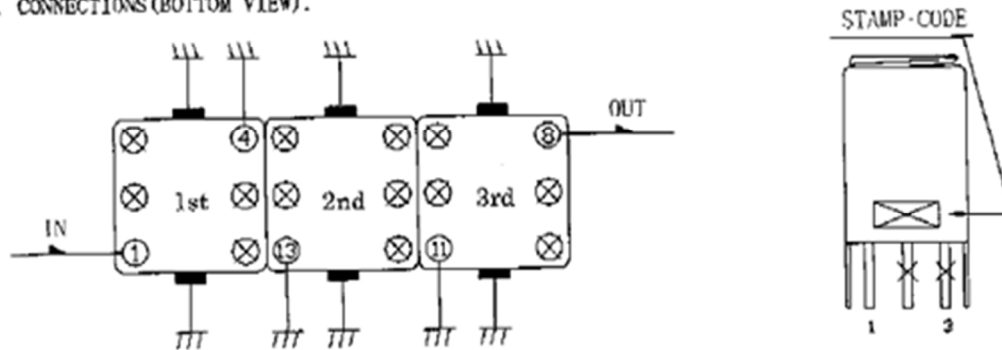
Tunable helical filter developed for UHF band applications. It's enclosed in a tin plated copper can providing optimal shielding.

Dimensions & Electrical Specifications

1. DIMENSION (UNIT: mm)



2. CONNECTIONS (BOTTOM VIEW).



3. ELECTRIC CHARACTERISTICS (ATTENUATION 0dB, at 460 MHz)

1	INPUT IMPEDANCE	(Rin)	50 Ω
2	OUTPUT IMPEDANCE	(Rout)	50 Ω
3	CENTER FREQUENCY	Fo	460 MHz
4	ATTENUATION	Fo-50 MHz	22 dB MIN.
		Fo+50 MHz	20 dB MIN.
5	BAND WIDTH	(-3dB)	30 MHz MIN.
6	INSERTION LOSS	460 MHz	4.0 dB MAX.

4. NOTE

Plot

5. ATTENUATION CHARACTERISTICS.

