

Features

- High Power
- Low Insertion Loss
- High Attenuation
- DIN Connectors

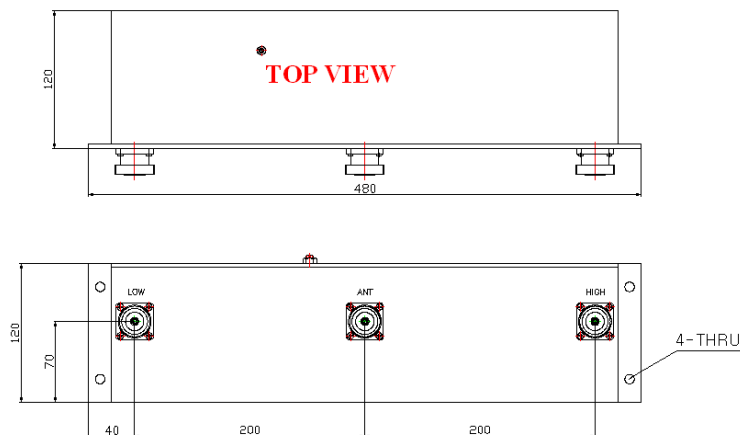
Descriptions

Connectorized high power high attenuation cavity duplexer developed for LTE band applications

Electrical Specifications

Parameter	Unit	Specification	
		Uplink	Down Link
Center Frequency	MHz	836.5	881.5
Passband	MHz	824~849	869~894
Insertion Loss in BW	dB	1.0 max	
Ripple in BW	dB	0.5 max	
Return Loss in BW	dB	14 min	
Attenuation	dB	80 @ 869-894 MHz	80 @ 824-849 MHz
IN/OUT Impedance	Ω	50	
Input Power	Watt	350 CW max	
Operating Temp. Range	$^{\circ}\text{C}$	-30 $^{\circ}\text{C}$ to +70 $^{\circ}\text{C}$	
Connectors	-	7/16-DIN @ All Ports	
Dimensions	mm	480 x 120 x 120 (L x W x H)	

Mechanical Drawing



Electrical Response

